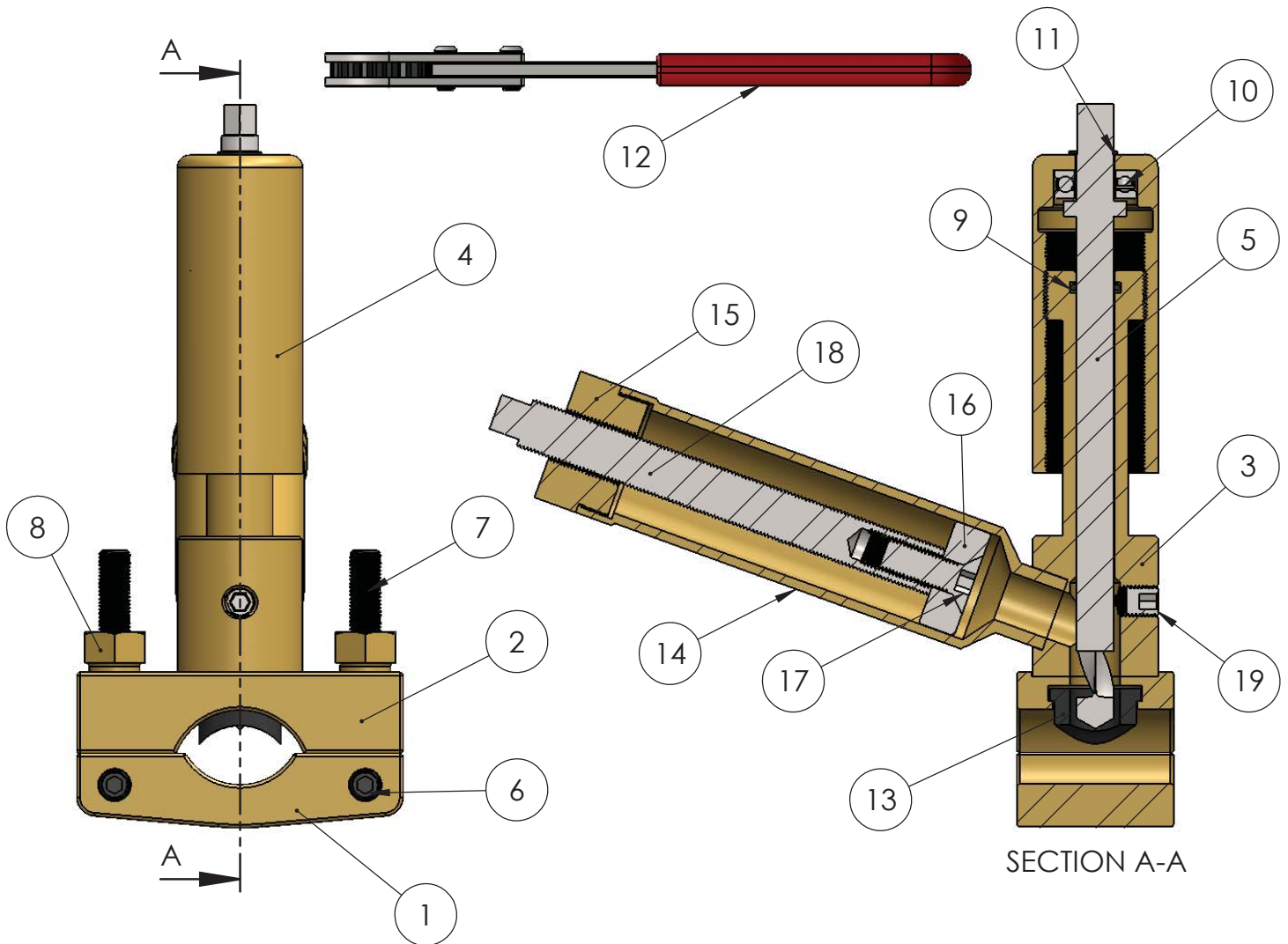


SMALL SERVICE TERMINATOR

ITEM NO.	PART NUMBER	DESCRIPTION	QTY.
1	46-STSI68-0003	CLAMP PLATE	1
2	46-STSI68-0002	SADDLE	1
3	46-STSI68-0001	BODY	1
4	46-STSI68-0004	FEED CAP	1
5	46-STSI68-0009	DRILL	1
6	46-STSM9243	GRUBSCREW	2
7	46-STSM9242	SWING BOLT	2
8	46-STSI68-0007	CLAMP NUT	2
9	46-STSM1061	'O' RING	1
10	46-STSM9241	THRUST RACE	1
11	46-STSM4272	CIRCLIP	1
12	46-STSM9240	RATCHET WRENCH	1
13	46-STSI68-0010	PIPE SEAL	1
14	46-STSI68-0006	MASTIC TUBE	1
15	46-STSI68-0008	MASTIC TUBE CAP	1
16	46-STSI68-0005	PISTON DISC	1
17	46-STSS0168	CKS HD SCREW	1
18	46-STSI68-0011	PISTON BAR	1
19	46-STSM9260	GRUBSCREW	1

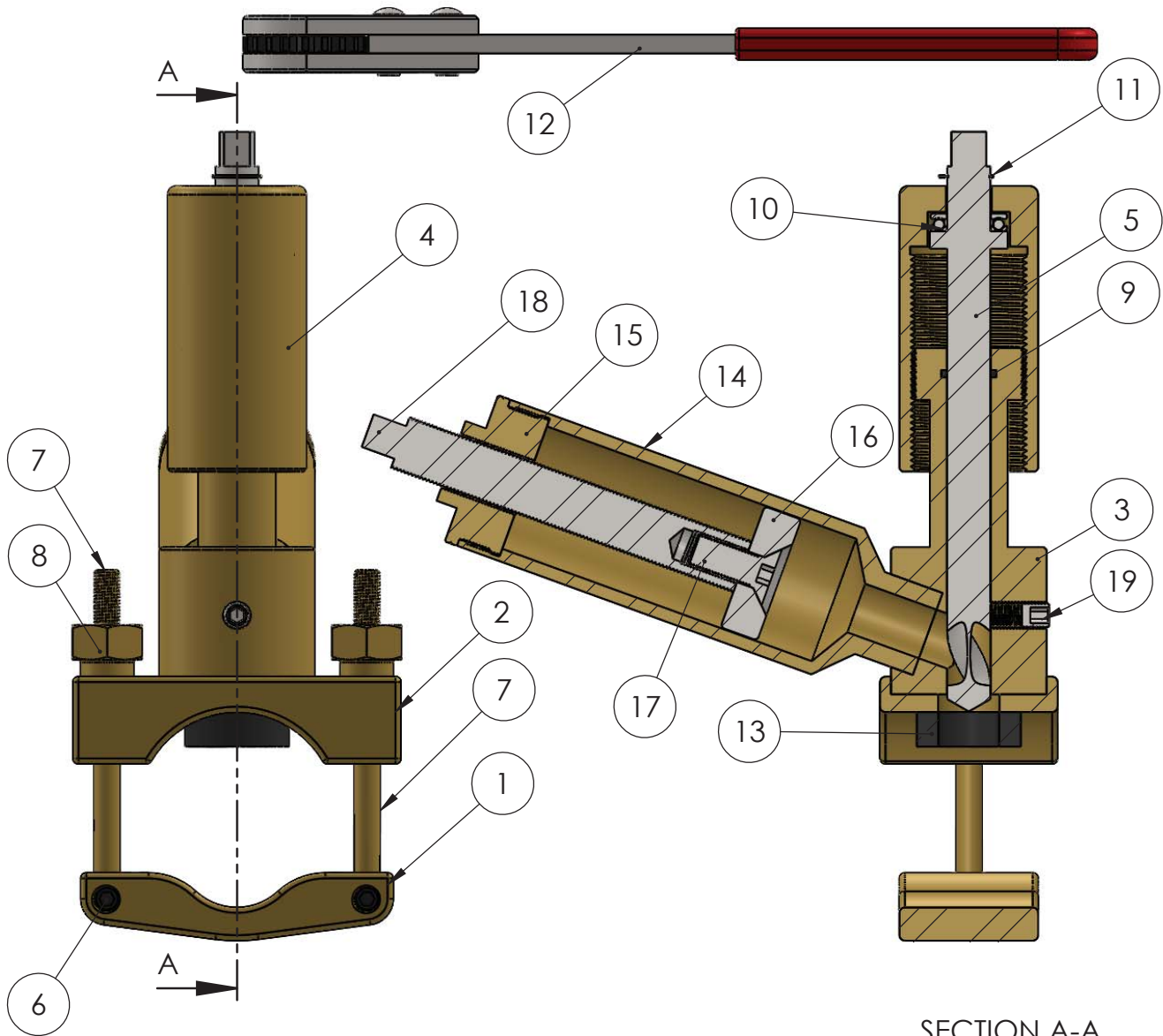


PLCS Inc. 102 Gaither Drive, Unit 1 Mt. Laurel, NJ 08054

Tel: 856-722-1333 Fax: 856)273-9723 Email: info@plcsusa.com Web site: www.plcsusa.com

LARGE SERVICE TERMINATOR

ITEM NO.	PART NUMBER	DESCRIPTION	QTY.
1	46-STL035-0002	CLAMP PLATE	1
2	46-STL035-0001	SADDLE	1
3	46-STL035-0010	BODY	1
4	46-STL035-0003	FEED CAP	1
5	46-STL035-0007	DRILL	1
6	46-STLS0490	GRUBSCREW	2
7	46-STL035-0004	SWING BOLT	2
8	46-STL035-0006	CLAMP NUT	2
9	46-STLM1042	'O' RING	1
10	46-STLM4149	THRUST RACE	1
11	46-STLM2160	CIRCLIP	1
12	46-STLM4148	RATCHET WRENCH	1
13	46-STL035-0009	PIPE SEAL	1
14	46-STL035-0012	MASTIC TUBE	1
15	46-STL035-0008	MASTIC TUBE CAP	1
16	46-STL035-0005	PISTON DISC	1
17	46-STLS0169	CKS HD SCREW	1
18	46-STL035-0011	PISTON BAR	1
19	46-STLM9260	GRUBSCREW	1



PLCS Inc. 102 Gaither Drive, Unit 1 Mt. Laurel, NJ 08054

Tel: 856-722-1333 Fax: 856)273-9723 Email: info@plcsusa.com Web site: www.plcsusa.com