

Metallic Service Abandonment

Advancements in Gas-Free Tools to Enhance Worker Safety

The Service Terminator



What Does it Do?



2 Tools Available:

3/4" - 1 1/4" Small

1 1/2" - 2" Large

- ✓ Maximum 10 PSI
- ✓ Uses a non-hazardous mastic to stop the flow gas at the branch.
- ✓ Simple clamp-on tool requires little training.

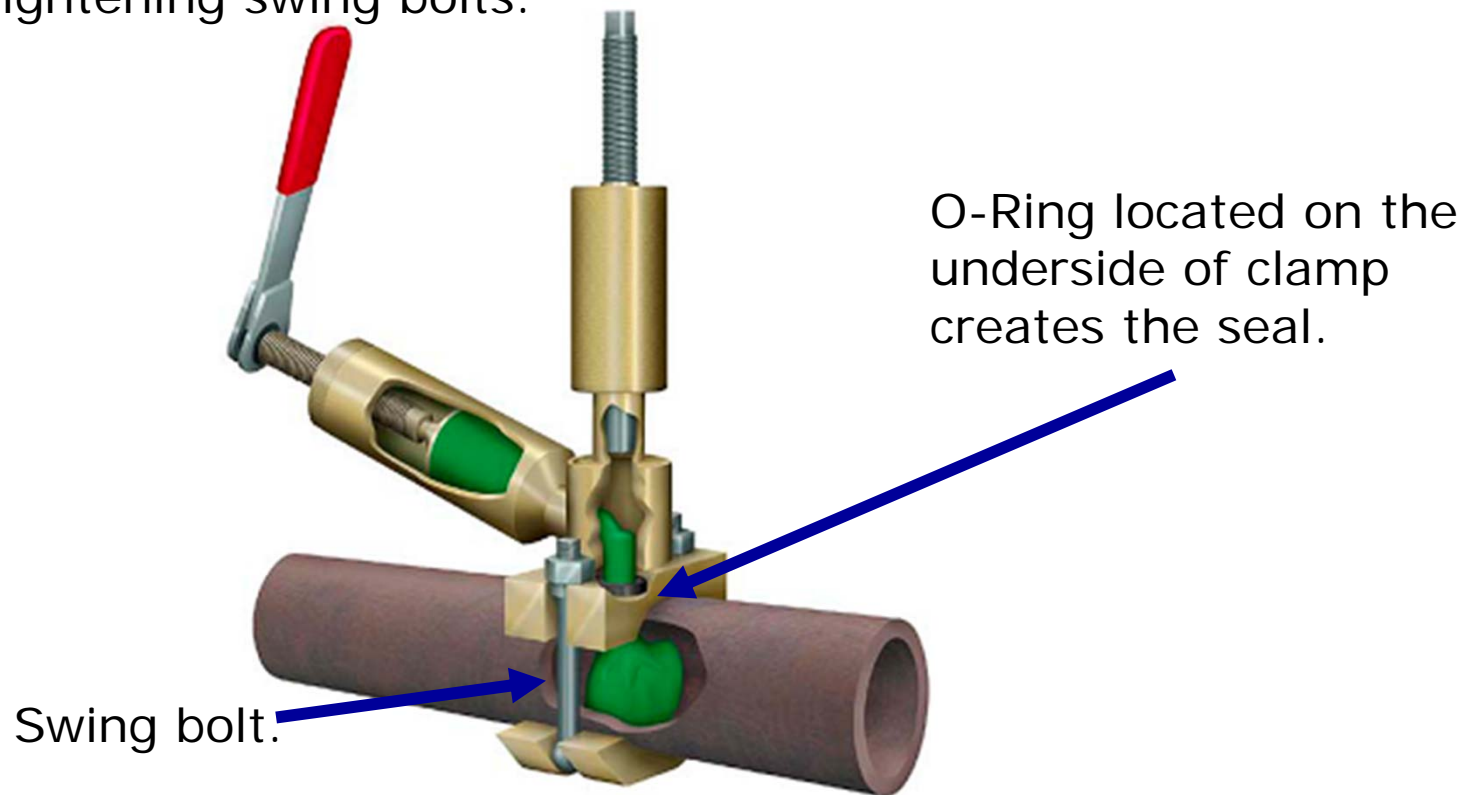
How Does it Work?

1. A small hole is drilled Gas-Free into the service branch.
2. A special one part non-hazardous mastic is injected into the service providing a temporary stop.
3. The pipe can now be cut and capped without the release of gas.



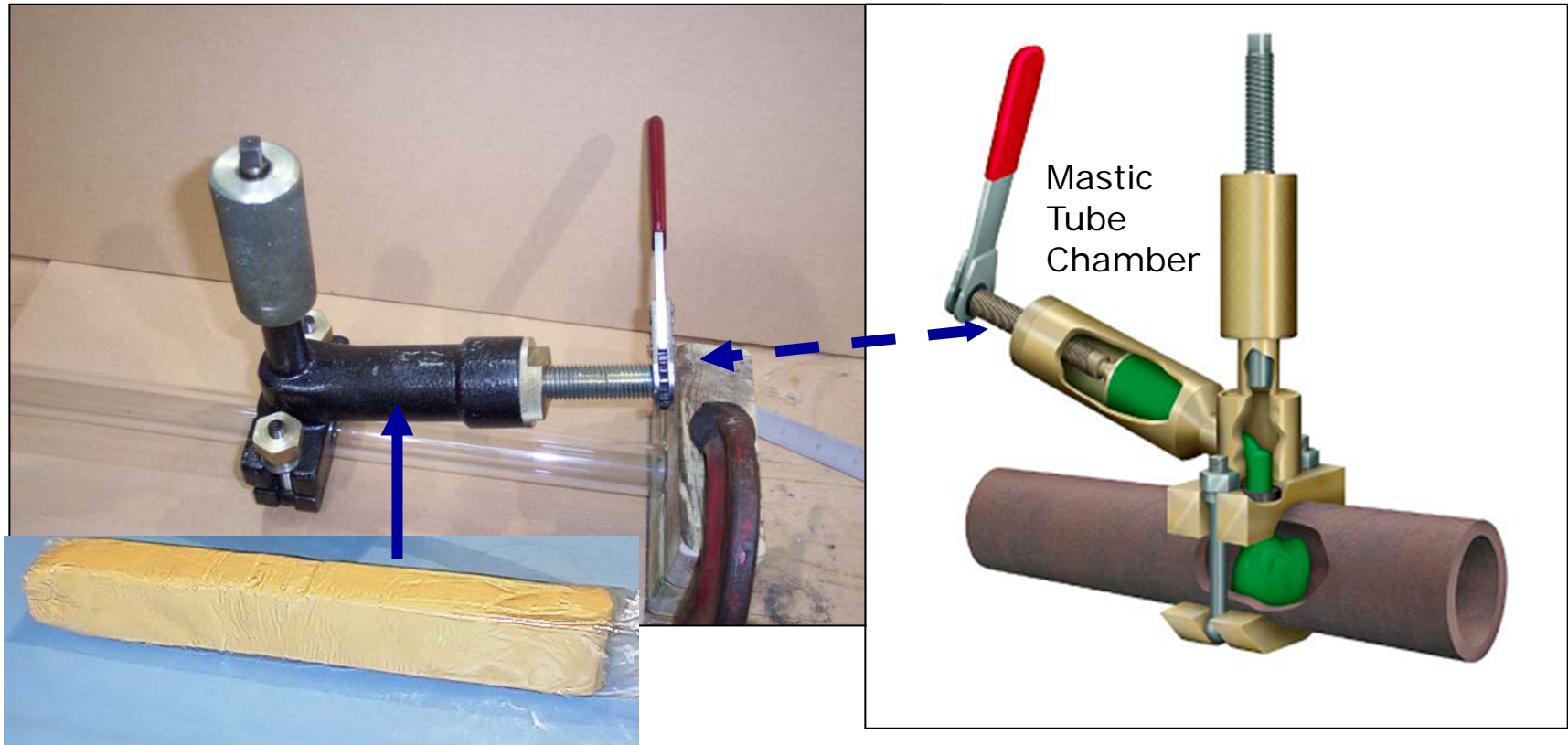
How Does it Work?

1. Clean work area. Fasten one-piece clamp design onto pipe by tightening swing bolts.



How Does it Work?

3. Fill mastic tube with special non-hardening environmentally safe mastic with the drill bit retracted.



How Does it Work?

How much mastic?



1 lbs. = 16 oz.

Pipe Size	Weight	Ounces	Length
¾"	150 grams	6 oz	2"
1"	300 grams	12 oz	4"
1 ¼"	500 grams	18 oz	6"
1 ½"	700 Grams	26 oz	9"
2"	1,200 Grams	42 oz	15"

Approximate Service Terminator Mastic Chamber Volumes

¾" - 1 ¼" Mastic Capacity = 150 grams, 5 oz or 1 ¾" Piece.

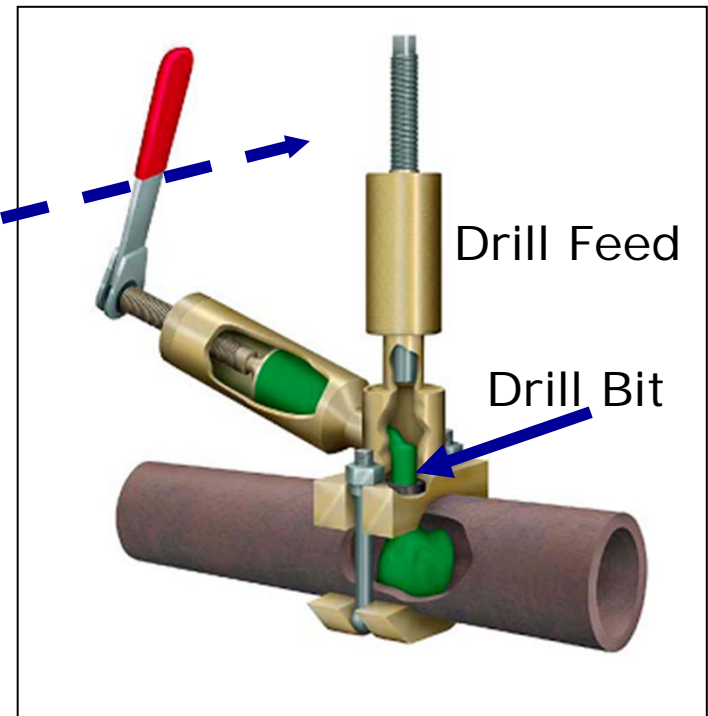
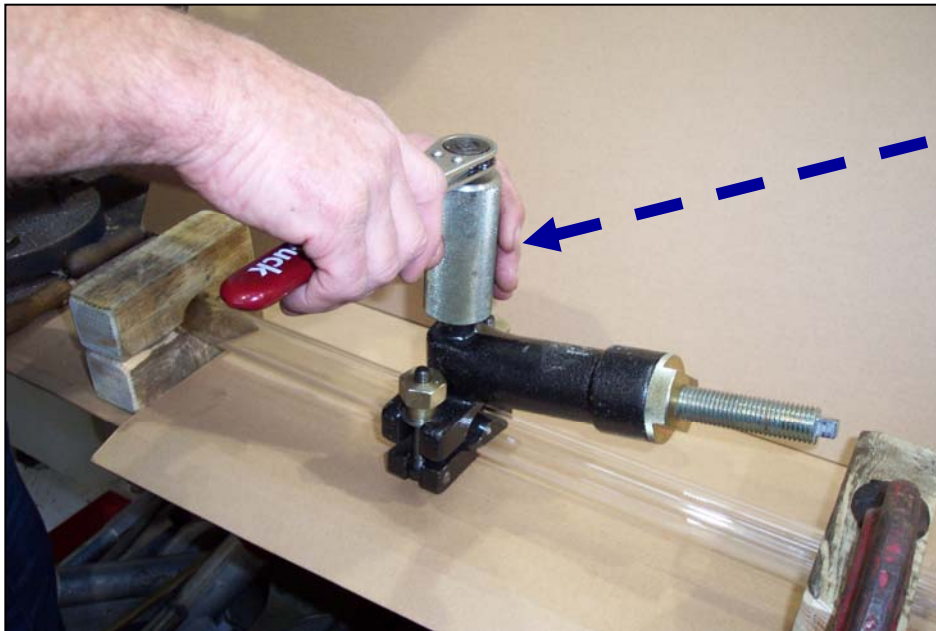
1 ½" - 2" Mastic Capacity = 350 grams, 12 oz or 4" Piece

Safety Data Sheet available upon request.

It will be necessary to refill chamber multiple times to stop the flow of gas on larger services.

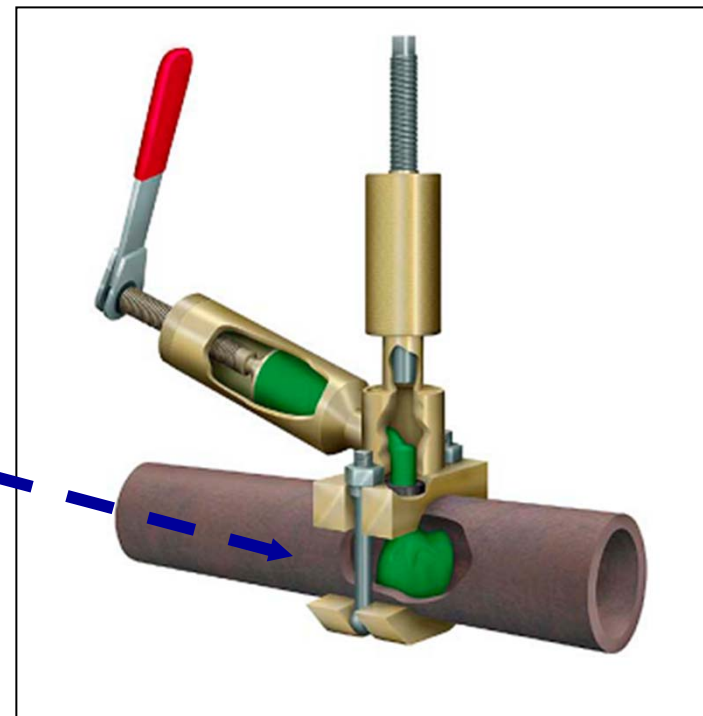
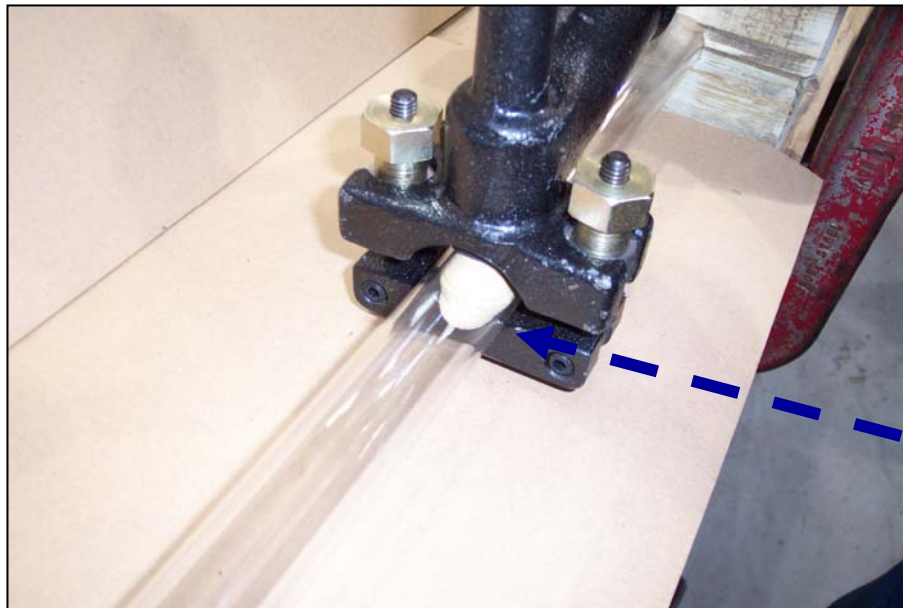
How Does it Work?

2. Drill injection hole.



How Does it Work?

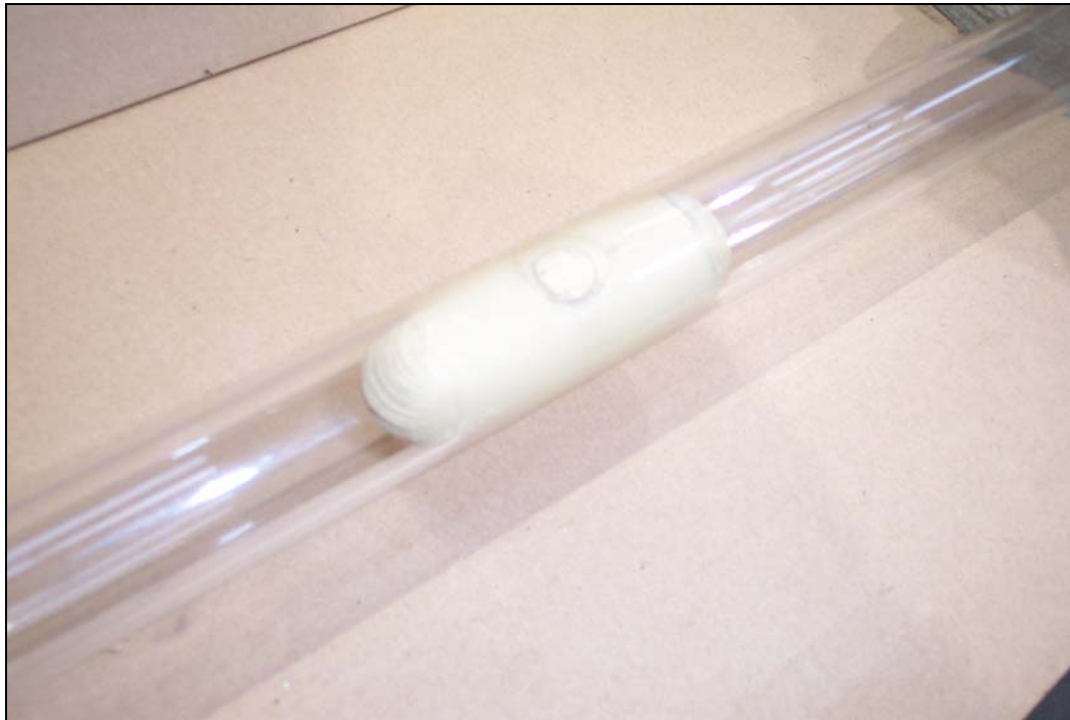
4. Retract drill bit. Turn piston feed screw clockwise to fill the branch with the correct amount of mastic to stop the flow of gas.



The Service Terminator must be clean after each use. Residual mastic will harden over time. Use mineral spirits after each use to dissolve the mastic.

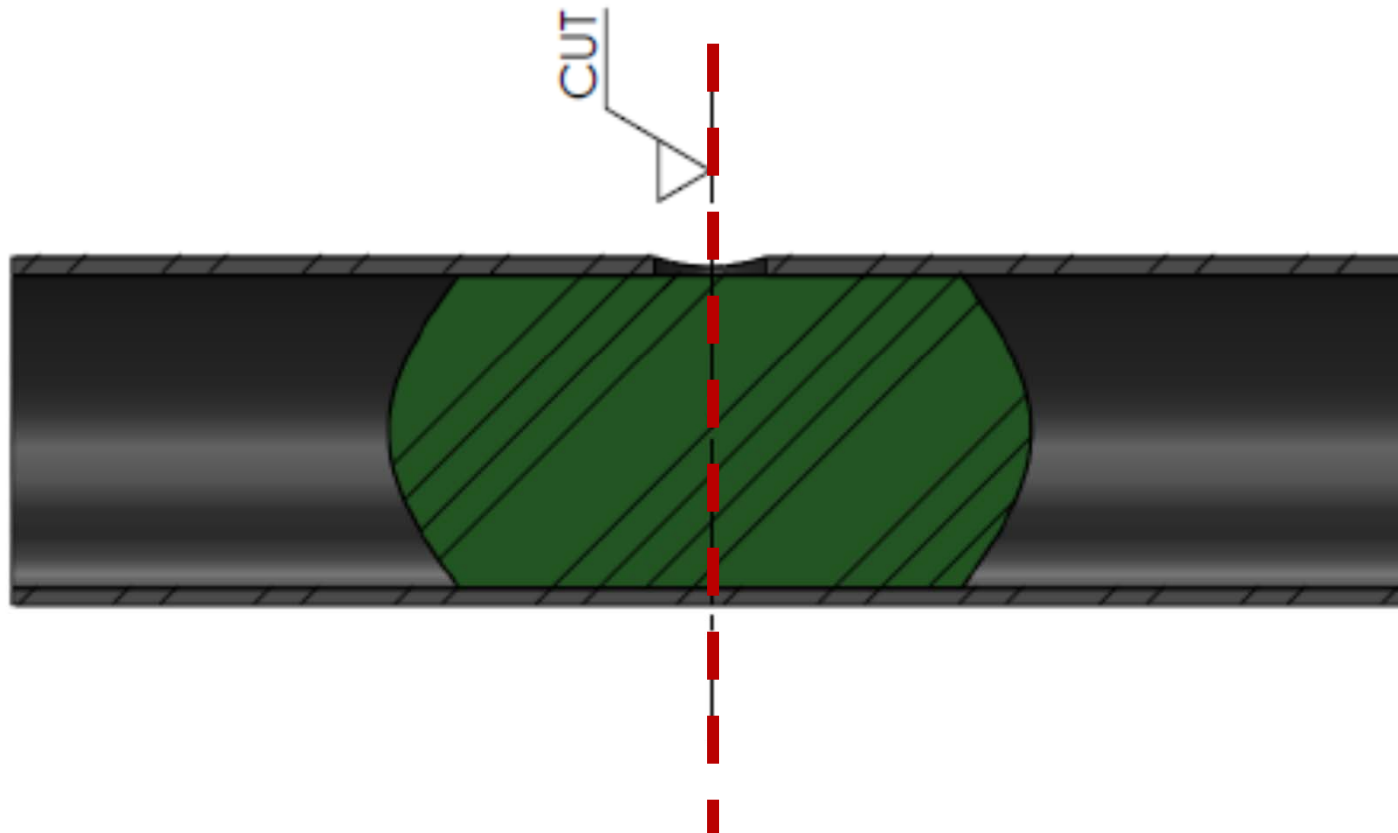
How Does it Work?

5. Remove Service Terminator.



How Does it Work?

5. Cut through the center of the injection hole..

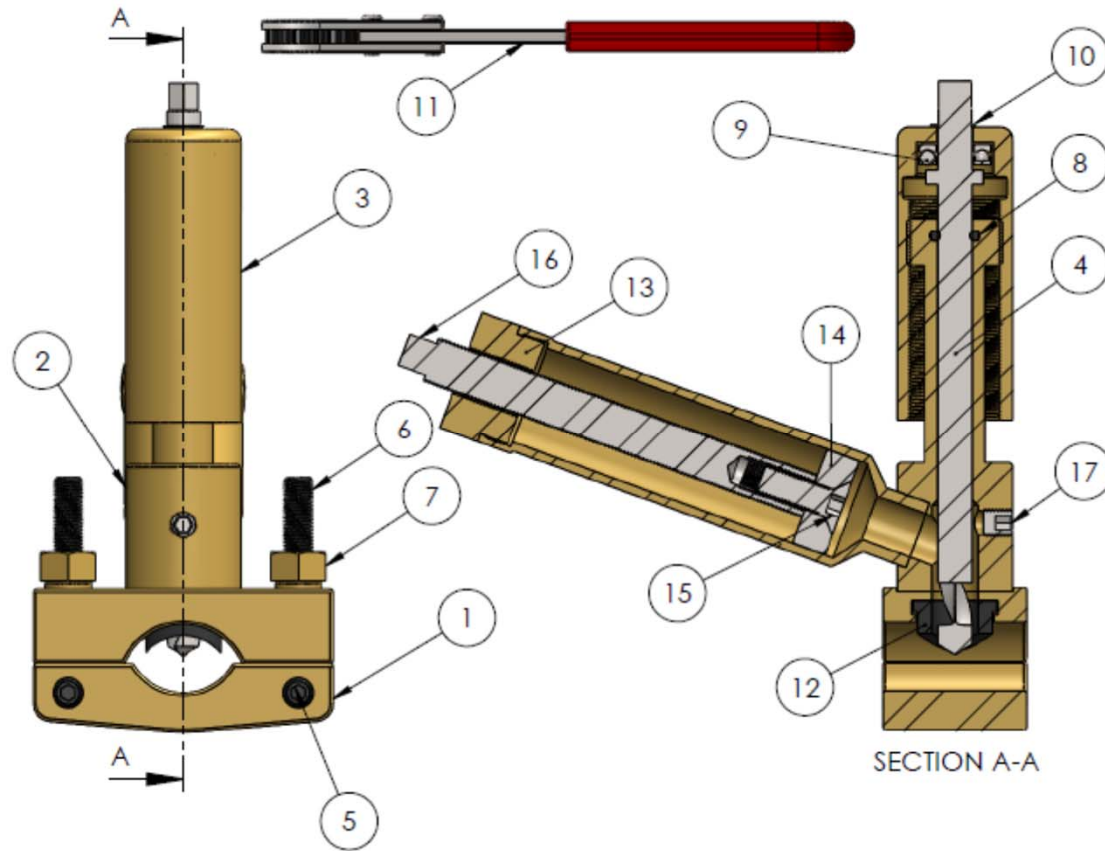


How Does it Work?

6. Cap service according to company procedures.



PLCS Stocks Replacement Parts



Summary



1. Gas-Free tool provide a safer work environment.
2. Stop off $\frac{3}{4}$ "-2" services up to 10 psi.
3. Small compact.
4. Easy to use clamp-on design requires minimal training
5. Reduces excavation cost.
6. No blowing gas saves on service calls for gas odors and maintains good public relations with the public.
7. Cost savings on bottled air as well as the time it takes to suit up.
8. Reduces carbon footprint.

Contact

For more information about the Service Terminator and other unique gas distribution products contact:



PLCS, LLC.
102 Gaither Drive, Unit 1
Mt. Laurel, NJ 08054
856-722-1333
info@plcsusa.com
www.plcsusa.com

