

Light Duty End of the Line Flame Arrestors



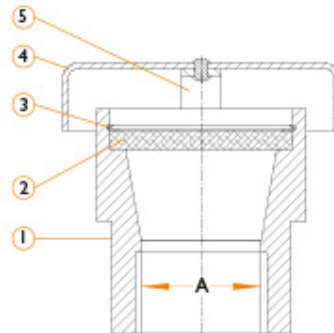
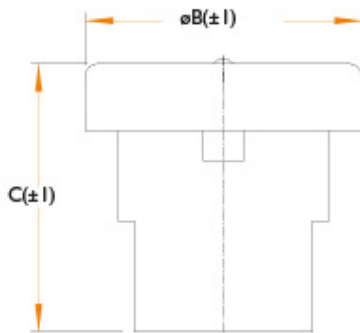
Protect people, plant, and equipment by preventing a flame from entering or leaving a gas pipe.

Principle Operation

Install at the end of a pipeline or on an atmospheric vent where flammable gases or vapors may be present. The Flame Arresters use elements with small apertures which allow gases or vapors to pass. During deflagration, the combustion products are cooled at the element surface by heat dissipation, which prevents the combustion process through the flame arrester.

Features and Benefits

- Available in sizes from DN15 to DN50
- Suitable for gases in explosion groups up to IIB3
- Lightweight flame arresters in stainless steel
- Flame Arresters have been typed- tested to EN ISO 16852 and certified according to ATEX Directive 2014/34/EU. Explosion Groups IIA1, IIA, IIB1, IIB2 and IIB3.
- BSP/NPT screwed connections per ISO7-1.



Reference #	Description	Materials
1	Body	Mazak 3/ LM6 Aluminum
2	Element Core	Stainless Steel
3	Element Core Retaining Ring	Aluminum
4	Weather hood	Aluminum
5	Hood Support Clip	Spring Steel

Part#	Description	A (female)	ØB (in)	C (in)	Weight (lbs.)	Ø Element (in)
47-SV15FH	½" End of Line Flame Arrester	½" NPT	1.61	2.28	.15	1.000
47-SV20FH	¾" End of Line Flame Arrester	¾" NPT	2.75	2.64	.30	1.732
47-SV25FH	1" End of Line Flame Arrester	1" NPT	2.75	2.64	.30	1.732
47-SV50FH	2" End of Line Flame Arrester	2" NPT	4.40	3.03	.50	3.110

PLCS, LLC

102 Gaither Drive, Unit 1, Mount Laurel, NJ 08054

phone: (856) 722-1333 • fax: (856) 273-9723 • e-mail: info@plcsusa.com • web: www.plcsusa.com