

PE Pipe Handling: PE Test End Plug



Available Sizes: ½"-8"
200 psi Rating
Evaluated by GTI

Decrease pipe pressure test time, reducing downtime and saving project costs. A quick, simple and reliable method of testing PE (polyethylene pipe) without fusing on end caps or installing mechanical fittings.

Simply insert into the open ends of pipe, then tighten and begin testing. Testing can be performed on installed pipe or on the coil. Pressure test in minutes not hours.

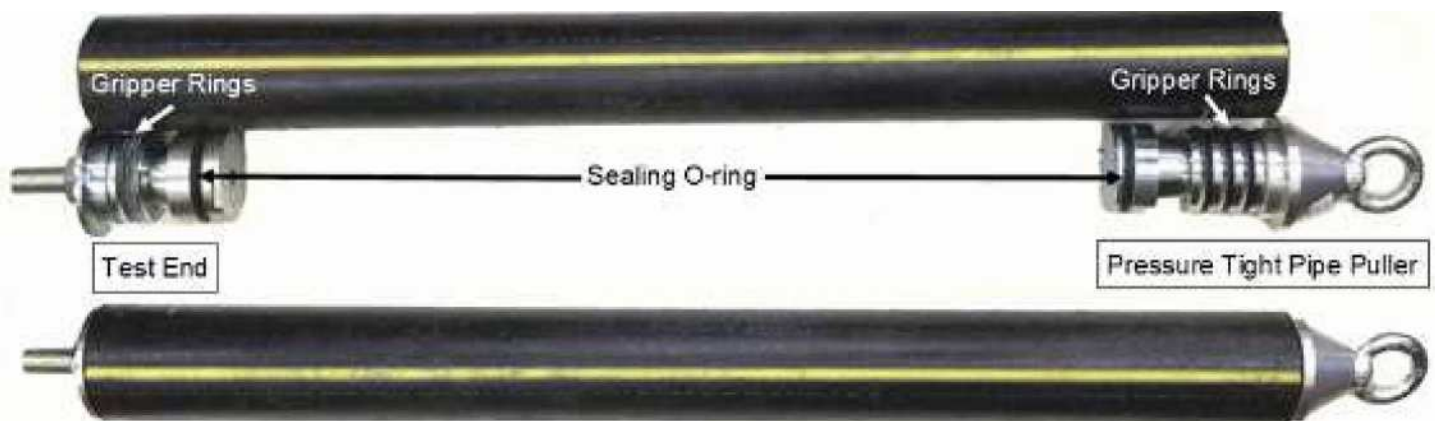
The Test Ends use the line test pressure to their advantage. The greater the test pressure the greater grip and seal. The gripper rings and sealing O-ring provide a safe, secure, leak-proof seal.

Tested to the point of pipe failure without pressure release.



- Saves an average of 2 man-hours per test. Compared to fusing end caps and mechanical fittings.
- Inserts directly into open PE pipe end without special preparation.
- Tighten the nut and the grippers lock into position and will release immediately on demand.
- Heavy duty construction in plated steel for rugged durability. Minimal maintenance and replaceable components.

Works with the Pressure Tight Pipe Pullers to seal both ends of a pipe without fusing

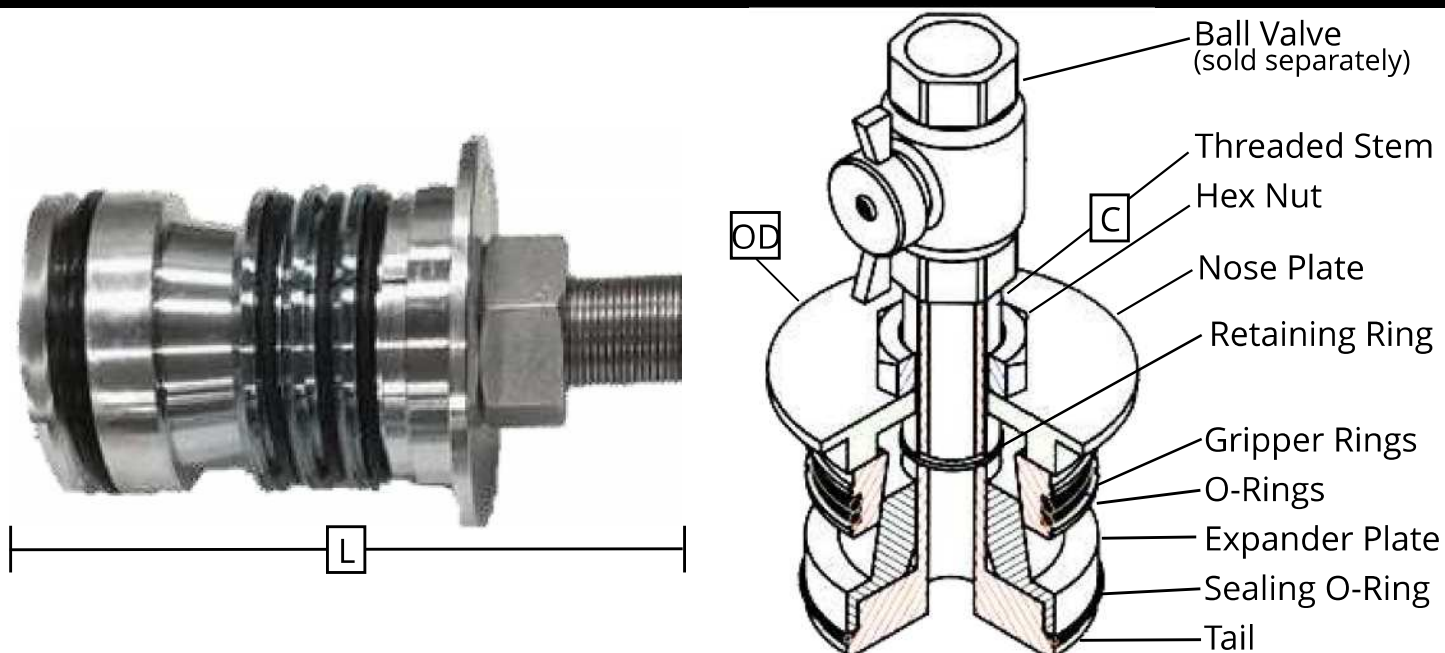


Test End Plugs are reusable, provide a positive seal and pressure rated to meet 49 CFR 192.513, and ASME B31.8 (in accordance with DOT CFR 49 Part 192 Subpart J).

PLCS, LLC

102 Gaither Drive Unit 1
Mount Laurel, NJ 08054
(856) 722-1333 www.plcsusa.com info@plcsusa.com

PE Pipe Handling: PE Test End Plug Specifications



Size	Part#	Wt. (lbs.)	L (in)	Central Stem (C)	SDR	OD (in)	Rating (psi)
1/2" CTS	71-415016	0.2	4.75	1/2" NPT	11	0.75	150
3/4" CTS	71-415017	0.5	4.75	1/2" NPT	11	1.0	150
1" CTS	71-415029	0.5	5.0	1/8" NPT	11	1.250	200
1" IPS	71-415033	0.8	5.0	1/8" NPT	11	1.625	200
1-1/4"	71-415035	1.1	5.5	1/8" NPT	11	1.625	200
1-1/4" IPS	71-415042	1.1	5.5	1/4" NPT	11	1.75	200
1-1/2" IPS	71-415048	1.7	5.375	1/4" NPT	11	2.125	200
2" IPS	71-415061	3.0	6.5	1/2" NPT	11	2.75	200
3" IPS	71-415090	5.3	6.5	1/2" NPT	11	3.50	200
4" IPS	71-415115	12.3	8	1/2" NPT	11	3.75	200
6" IPS	71-415168	24.0	12.75	1" NPT	11	4.75	200
8" IPS	71-415219	48.0	14.75	1" NPT	11	6.50	200

Other sizes and SDR'S available upon request.
 Please be certain to confirm the pipe SDR at time of order.
 Dimensions are approximate.

PLCS, LLC

102 Gaither Drive Unit 1
 Mount Laurel, NJ 08054
 (856) 722-1333 www.plcsusa.com info@plcsusa.com