

2" Auto-Lift Coil Pipe Trailer with Safety Straightener

A specialized vertical coil pipe trailer dispenses 2" PE coils safely with a proprietary Pipe-Straightener and hold-down clamp to cut the pipe.

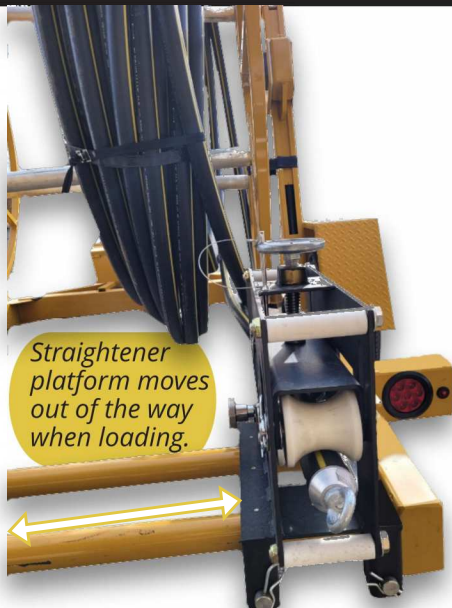
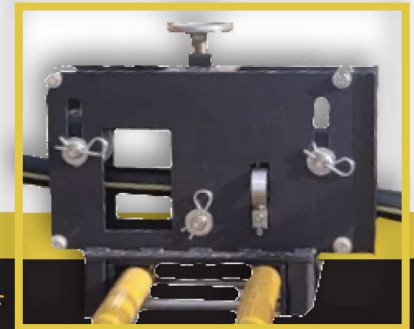
FEATURES

- Vertical coil position eliminates coil tangles
- Withstands harsh utility work conditions.
- Compact size to move around city streets.
- Easy to load, with integral hydraulic lift system.
- Light enough to tow using a typical work truck.
- Reel Brake slows the coil from spinning too fast.

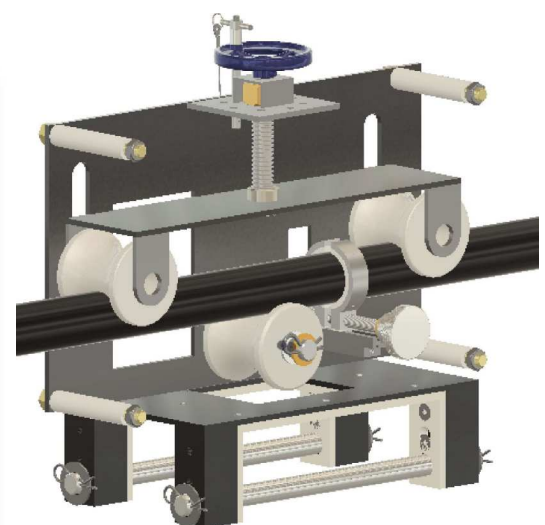


STRAIGHTENER REMOVES THE PIPE BEND FOR SAFE INSTALLATION.

The pipe dispenses through a lateral moving Straightener on a set of 2" x 2" steel rails at the trailer's rear. Loading is easy. The Straightener platform swings out of the way, and the hydraulic lift system positions the coil to the correct height. The built-in pipe retaining clamp prevents accidental spring-out by holding the length of the pipe captive when cutting.



STRAIGHTENER UNIT



INSIDE THE STRAIGHTENER UNIT

PLCS, LLC

102 Gaither Drive Unit 1
Mount Laurel, NJ 08054
(856) 722-1333 www.plcsusa.com info@plcsusa.com

2" Auto-Lift Coil Pipe Trailer with Safety Straightener

COIL CONTROL SYSTEM

Coil is loaded in the rear of the trailer bay with the help of a push button solar powered lift system.



REEL SYSTEM

Aluminum crossbars twist & lock into position to connect the two spider wheels together.



DELFIN PIPE ROLLERS

Durable and eliminates pipe damage, unlike aluminum or steel rollers that can gouge the pipe during dispensing.



HYDRAULIC LIFT SYSTEM

Makes it easy to load 2" coils.

REEL SAFETY FRICTION BRAKE

Slows Reel if spinning too fast.



STRAIGHTENER LATERAL RAIL SYSTEM

Swings out of the way to load the coil. Straightener Unit locks in place during transport.

PLCS, LLC

102 Gaither Drive Unit 1
Mount Laurel, NJ 08054
(856) 722-1333 www.plcsusa.com info@plcsusa.com

2" Auto-Lift Coil Pipe Trailer with Safety Straightener

DESCRIPTION

| | |
|-----------------------|--------------------------|
| MODEL | PLCS 0107 |
| Part# | 73-314020-05 |
| GAWR | 7,000 lbs. |
| Overall Length | 180 " |
| Overall Width | 94 " |
| Height | 98.5" (Highest Position) |
| Coil Capacity | 80" Dia. x 54" Wide |
| Empty Weight | 2,000 lbs. |

RUNNING GEAR

| | |
|---------------------|---------------------------------|
| Axle | 8,000 lbs. |
| Brakes | Electric |
| Single Tires | 4) ST235/80R16 Load Range (E) |
| Wheels | 16 x 68 Bolt Silver mod |

FRAME (in)

| | |
|-------------------------|------------------------|
| Main Frame | 4 x 6 Rectangular tube |
| Lifter Arm Shell | 4 x 4 Square tube |
| Lifter Support | 2 x 3 Rectangular tube |
| Lifter Arm | 3 x 3 Square tube |
| Tongue | 4 x 6 Rectangular tube |
| Light Boxes | 4 x 6 Rectangular tube |
| Fenders | Tread plate fenders |


ELECTRICAL

| | |
|---------------|---------------------------------------|
| Plug | 7 RV Molded Plug |
| Wiring | Enclosed in conduit w/ junction boxes |
| Lights | Standard LED package |

SAFETY

| | |
|-------------------|--|
| Chains | 3/8" safety chains and 1-ton snap hooks. |
| Break Away | Engager System |
| Decals | Warning & Reflective Tape |

ACCESSORIES

| | | |
|---------------------|--------------------------|---|
| Towing | 3" Adjustable Pintle Eye |  |
| Wheel Chocks | 2 X Rubber | |
| Jack | 7K Top Wind Drop Leg | |

FINISH

| | |
|------------------|---------------------|
| PPG Paint | Industrial Urethane |
|------------------|---------------------|

OPTIONS

| | |
|---------------------|----------------------|
| Straightener | 2" PLCS Straightener |
| Reel Brake | 9" Over-spin Brake |

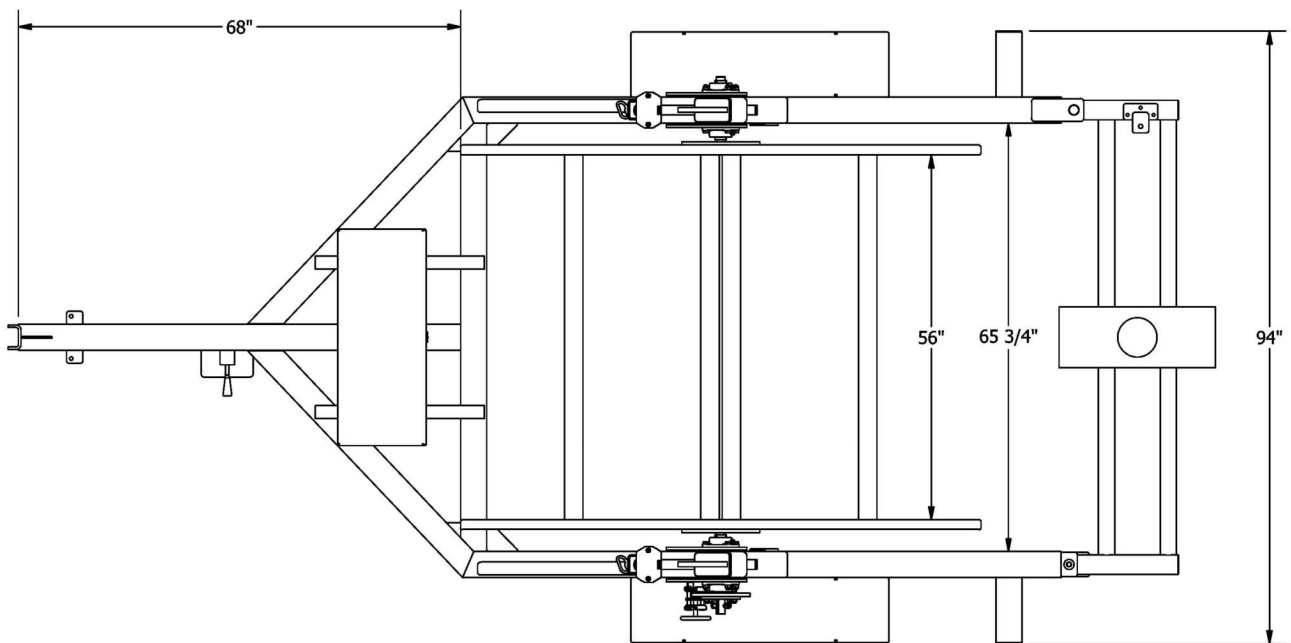
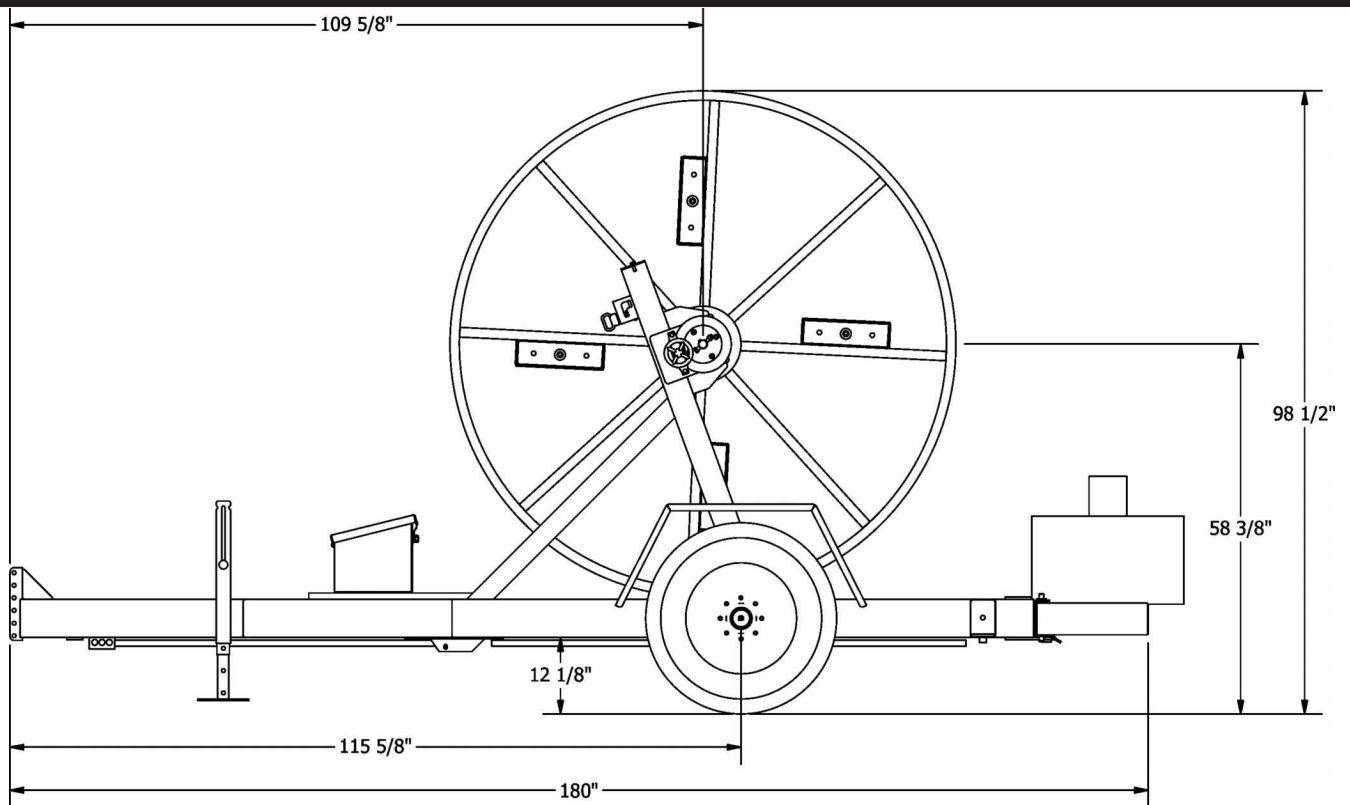
HYDRAULICS

| | |
|----------------------|----------------------------------|
| Cylinders | 2 x 20 " welded |
| 4 Button Pump | Electric Hydraulic-Power Up/Down |
| Fluid | Dexron III / Mercon A.T.F. |

PLCS, LLC

102 Gaither Drive Unit 1
Mount Laurel, NJ 08054
(856) 722-1333 www.plcsusa.com info@plcsusa.com

2" Auto-Lift Coil Pipe Trailer with Safety Straightener



PLCS, LLC

102 Gaither Drive Unit 1
Mount Laurel, NJ 08054
(856) 722-1333 www.plcsusa.com info@plcsusa.com