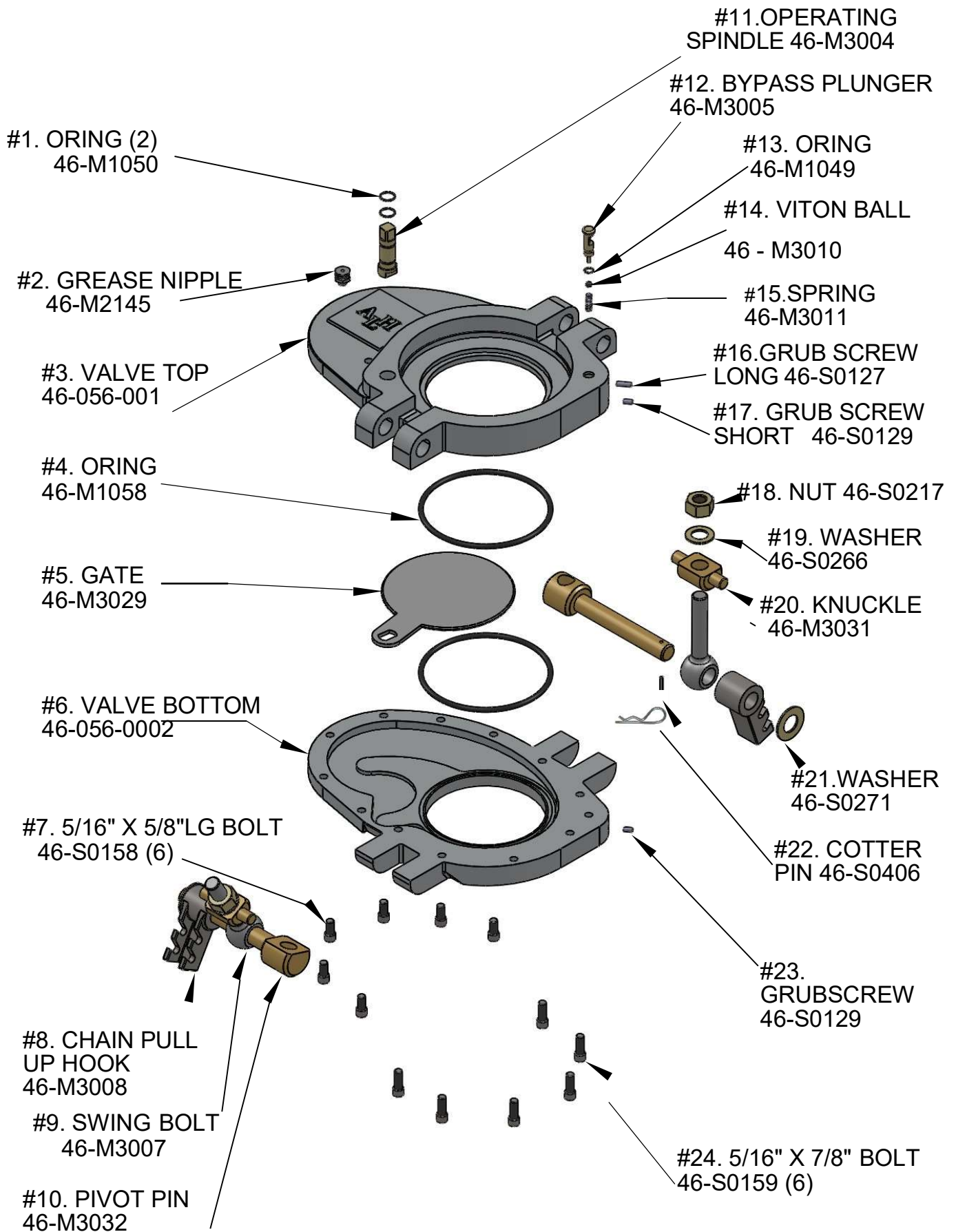
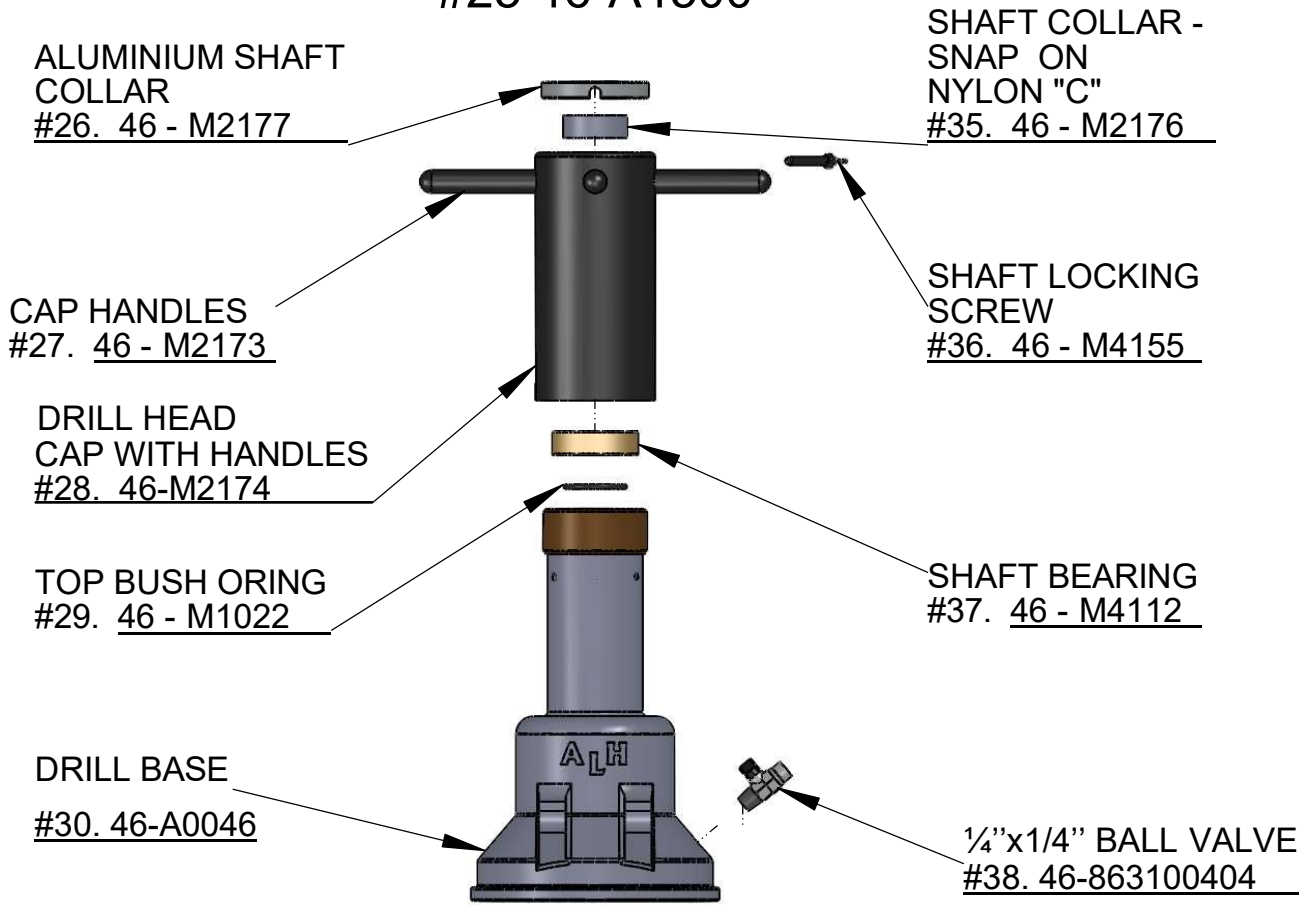


ALH SYSTEM-ONE CONTROL VALVE



ALH SYSTEM-ONE DRILLING MACHINE

#25 46-A4500



MACHAINE

BASE ORING
#31. 46 - M1056

SHAFT RETAINING PIN
#32. 46 - A0040

DRILL SHAFT
#33. 46 - A0045

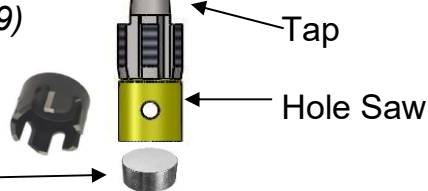
TAP RETAINING GRUB SCREW
#34. 46 - S0166

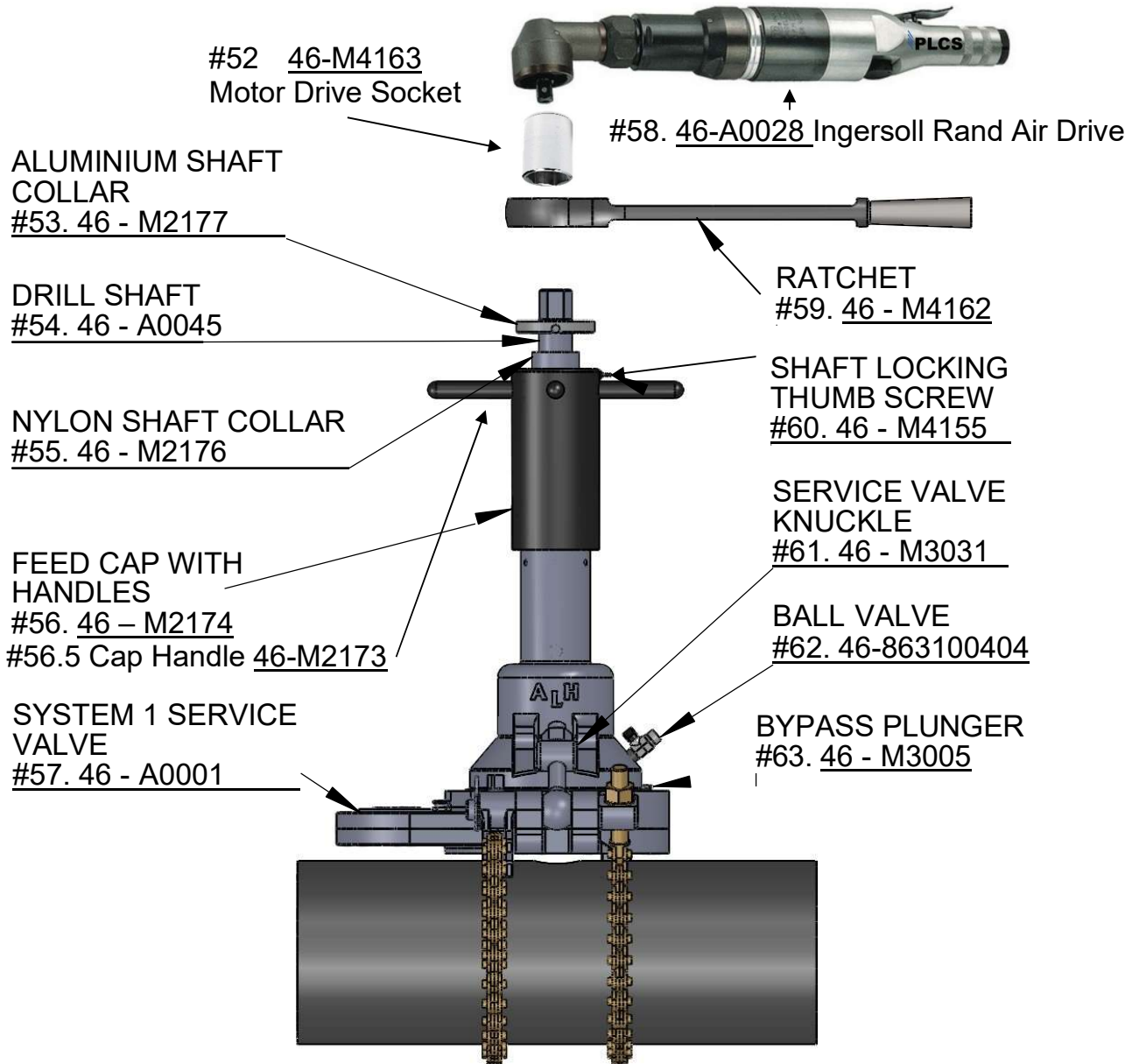
Steel Cutter (see #95-99)

#51 46-B5010
Coupon Retention Magnet

NPT TAP		PART NO.
#39.	3/4"	46 - B0260
#40.	1"	46 - B0261
#41.	1 1/4"	46 - B0262
#42.	1 1/2"	46 - B0263
#43.	2"	46 - B0264
#44.	2 1/2"	46 - B0265

HOLESAW			PART NO.
#45.	3/4"	(24mm)	46 - A0265
#46.	1"	(30mm)	46 - A0266
#47.	1 1/4"	(38mm)	46 - A0267
#48.	1 1/2"	(44mm)	46 - A0268
#49.	2"	(56mm)	46 - A0269
#50.	2 1/2"	(68mm)	46 - A0270



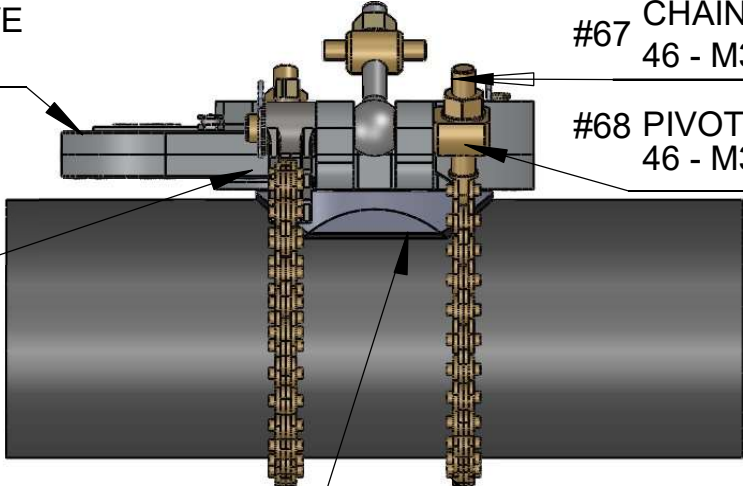


SERVICE VALVE
#64. 46 - A0001

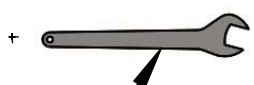
CHAIN PULL
UP HOOK
#65. 46-M3008

#67 CHAIN SWING BOLT
46 - M3007


#68 PIVOT PIN
46 - M3032






VALVE WRENCH
#66. 46 - A0012



CHAIN STEADY
WRENCH
#69. 46 - A0014

Saddles	SIZE	PART #
#70.	3"	46-A0003A
#71.	4"	46-A0003
#72.	6"	46-A0005
#73.	8"	46-A0007
#74.	10"	46-A0009
#75.	12"	46-A0010
#76.	16"	46-A0072
#77.	20"	46-A0073
#78.	24"	46-A0074
#79.	30"-42"	46-A0422
#80.	42"-48"	46-A0035
		
#81	Saddle O-Ring	46-1057

Chains	SIZE	PART #
#82.	3" - 12"	46-A0013
#83.	12" - 24"	46-A2900
#84.	24" - 36"	46-A2941
#85.	36" - 48"	46-A2942

		
#86.	Inspection Canopy	46-A0015
		
#87.	Blanking Cap	46-A0050
		
#88.	Bypass Canopy c/w Pressure & Purge Points	46-115-9026

Other Parts



#89.	Wooden Box - Drilling Head (left photo)	46-B5003
#90.	Wooden Box - Single Valve (right photo)	46-B5001



#91.	3" System-One Silicone Gasket/Steel Mains	46-006-0101
#92.	4" System-One Silicone Gasket/Steel Mains	46-006-0102
#93.	6" System-One Silicone Gasket/Steel Mains	46-006-0103
#94.	8" + System-One Silicone Gasket/Steel Mains	46-006-0100



#95.	1" System-One Shell Cutter for Steel Mains	46-A0304
#96.	1 ¼" System-One Shell Cutter for Steel Mains	46-A0305
#97.	1 ½" System-One Shell Cutter for Steel Mains	46-A0306
#98.	2" System-One Shell Cutter for Steel Mains	46-A0307
#99.	2 ½" System-One Shell Cutter for Steel Mains	46-A0308



#100.	Shell Cutter Special Nut (for 1 ¼" ONLY)	46-0045-0020
-------	--	--------------



#101.	Shell Cutter Tightening Tool (for 1 ¼" ONLY)	46-0045-0021
-------	--	--------------



#102.	Kool-Mist Formula 77	46-113-65K61
-------	----------------------	--------------

Other Parts

#103.	Plug fitting Canopy	46-A0018	
#104.	Canopy Shaft O-ring (x2)	46-M1052	
#105	Ball Valve	46-863100404	
#106.	Machine Base O-Ring	46-M1056	
#107	Magnetic Plug Fitting Spindle	46-1079000	
#108	3/4" Plug Carrier	46-1070005	
#109	1" Plug Carrier	46-1070004	
#110	1 1/4" Plug Carrier	46-1070002	
#111	1 1/2" Plug Carrier	46-1070003	
#112	2 Plug Carrier	46-1070006	
#113	2 1/2" Plug Carrier	46-1070007	
#114	Plug Carrier Hex Wrench	46-A0020	
#115	T-Handle Hex Wrench	46-A0017	
#116	Hole Saw Box Wrench	46-A0259	

**Gas-Free installation of the 1 ¼" – 2 ½" plugs through the System-One
Requires a Plug Carrier Shaft Adapter (#125-126)**



#117.	1 ¼" Plug/Cap to fit 4" Cast Pipe Profile	46-A0163
#118.	1 ¼" Plug/Cap to fit 6" Cast Pipe Profile	46-A0164
#119.	1 ¼" Plug/Cap to fit 8"-12" Cast Pipe Profile	46-A0165
#120.	1 ½" Plug/Cap to fit 4" Cast Pipe Profile	46-A0158
#121.	1 ½" Plug/Cap to fit 6" Cast Pipe Profile	46-A0159
#122.	1 ½" Plug/Cap to fit 8"-12" Cast Pipe Profile	46-A0160
#123.	2" Plug/Cap to fit 8"-12" Cast Pipe Profile	46-A0110
#124.	2 ½" Plug/Cap to fit 10"-16" Cast Pipe Profile	46-A0157



#125.	Adapter for 1 ¼" & 1 ½" Plugs	46-A0161
#126.	Adapter for 2" & 2 ½" Plugs	46-A0112